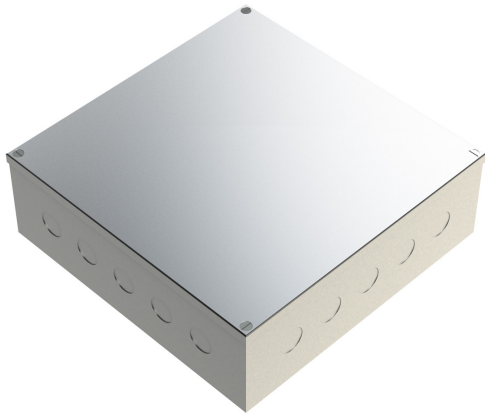


PRODUCT CODE: AB20G-K
ADAPTABLE BOX - KNOCKOUT



DESCRIPTION

225 x 225 x 75mm (9 x 9 x 3") Adaptable Box with Knock-outs

FINISH

Pre Galvanised

MATERIAL

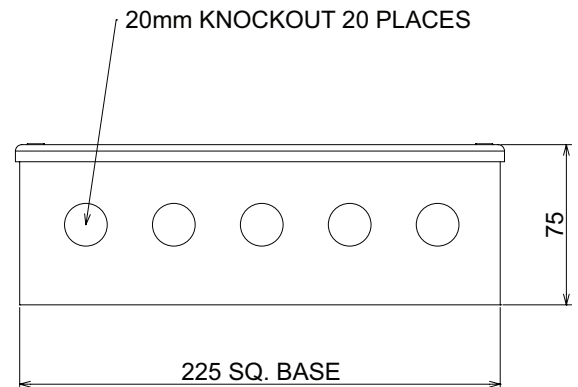
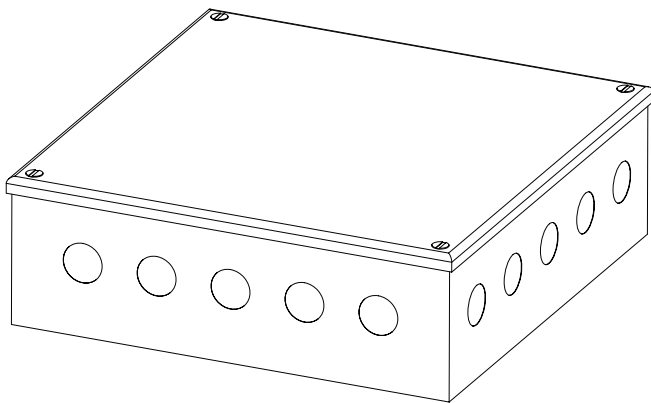
Galvanised Sheet Steel

PACKAGING

Packed in qty 2 (can be purchased individually)

ADDITIONAL NOTES

Comprises body, flanged cover and M5 x 10mm lid fixing screws
Knock outs - 5 x 20mm on each face
Compliant to LU Standard 1-085 (for use on surface & sub-surface locations)



Values are nominal and with a general tolerance $\pm 5\%$ unless otherwise specified